

SCREEN

February 1, 2002

products

scanners | imagesetters | ctp | workflow | rip | digital press

products

services

dealer
locator

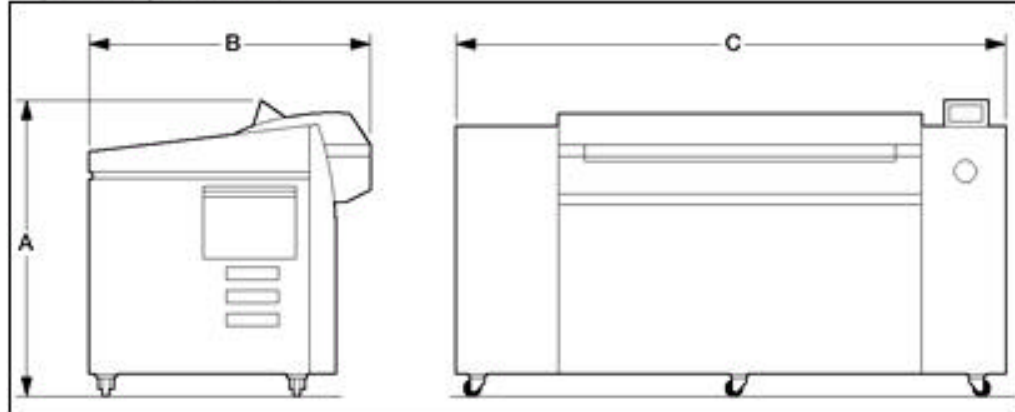
about
screen

what's
new

online
services

CTP/PlateRite8000II/Specs

Space requirements



Dimensions

	A	B	C
mm	1,285	1,295	2,420
in.	50.5"	50.9"	95.2"



Model name	PT-R 8000II
Recording system	External drum
Light Source	32-channel infrared LD
Plate size	Maximum: 1,160 mm x 940 mm (45.6" x 37") Minimum: 450 mm x 370 mm (17.7" x 14.5")*
Exposure size	Maximum: 1,160 mm x 924 mm (45.6" x 36.3") Minimum: 500 mm x 354 mm (19.6" x 13.9")**
Across the drum	Same as plate size
Around the drum	Plate size less 16 mm (0.62") or 24 mm (0.94")**
Media	Thermal (infrared sensitive) plates
Media thickness	0.15 mm to 0.3 mm (5.9 mil to 11.8 mil)
Resolutions	1,200/2,000/2,400/4,000 dpi
Repeatability	± 5 microns***
Productivity	13 plates/hr at 2,400 dpi (1,030 mm x 800 mm/40.5" x 31.4" plates)*****
Interface	Fast PIF
Plate transport	Semi-automatic (standard) Fully-automatic loading (optional)
Punch systems (optional)	SCREEN, Heidelberg, Protocol, Komori, and others
Dimensions	2,420 mm W x 1,295 mm D x 1,285 mm H (95.2" x 50.9" x 50.5")
Weight	Approx. 1,150 kg (2,530 lb.)
Environment	23°C ±2°C (73.4°F ±3.6°F), 50% to 70% relative humidity (non-condensing)
Power requirements	Single phase 200 V to 230 V, 25 A, 4.0 kW *****

* 500mm x 370mm (19.6" x 14.5"), when SA-L/MA-L is used.

** Use of 8-mm clamps results in 16-mm reduction of exposure size. Use of 12-mm clamps results in 24-mm reduction.
Maximum drum speed of 600 rpm for 8-mm clamps or for plates smaller than 650 mm x 550 mm (25.5" x 1.6")

*** Over four consecutive exposures on one plate at 23°C (73.4°F) and 60% relative humidity.

**** Productivity may vary depending on the sensitivity of the media and selection of clamp size.

***** Also covers power requirements of SA-L, MA-L, & blower unit.

Features

Specs

Purchase

